

PRODUCT INFORMATION PACKET

Model No: 5K49SN8050

Catalog No: K408

1.5 HP General Purpose Motor, 3 phase, 1500 RPM, 220/380 V, 145T Frame, ODP
Three Phase ODP Motors





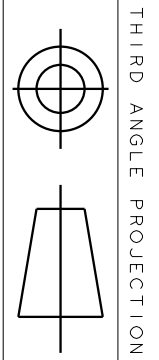
Nameplate Specifications

Output HP	1.50 Hp	Output KW	1.1 kW
Frequency	50 Hz	Voltage	220/380 V
Current	4.5,2.6 A	Speed	1425 rpm
Service Factor	1.15	Phase	3
Efficiency	81.7 %	Power Factor	0
Duty	Continuous	Insulation Class	B
Design Code	B	KVA Code	G
Frame	145T	Enclosure	Drip Proof
Thermal Protection	N/R	Ambient Temperature	40 °C
Drive End Bearing Size	6205	Opp Drive End Bearing Size	6203
UL	Recognized	CSA	Yes
CE	N		

Technical Specifications

Electrical Type	Three Phase	Starting Method	N/R
Poles	4	Rotation	Counterclockwise/Clockwise
Mounting	Rigid Base	Motor Orientation	ANY
Drive End Bearing	BALL	Opp Drive End Bearing	Ball
Frame Material	Rolled Steel	Overall Length	13.59 in
Frame Length	8.99 in	Shaft Diameter	0.880 in
Shaft Extension	2.25 in		
Outline Drawing	52A107890P2	Connection Drawing	113A930FIG3

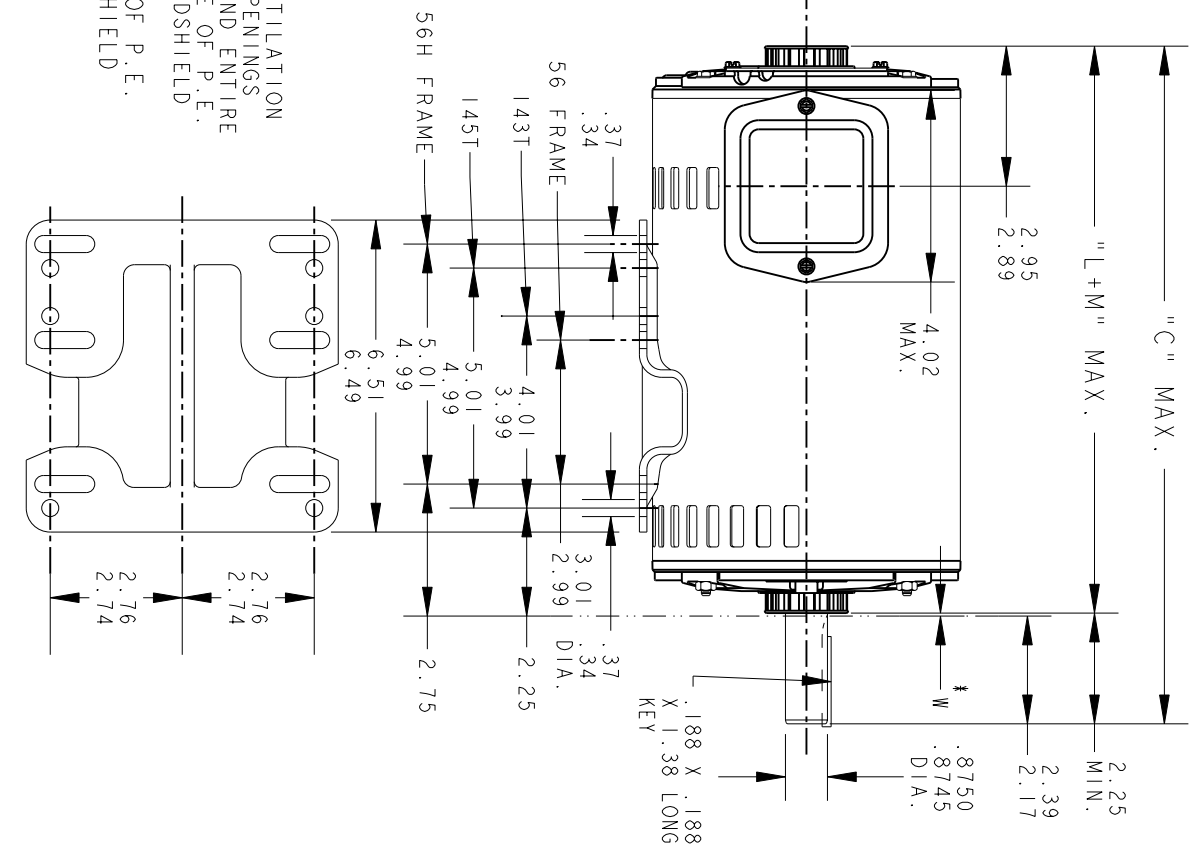
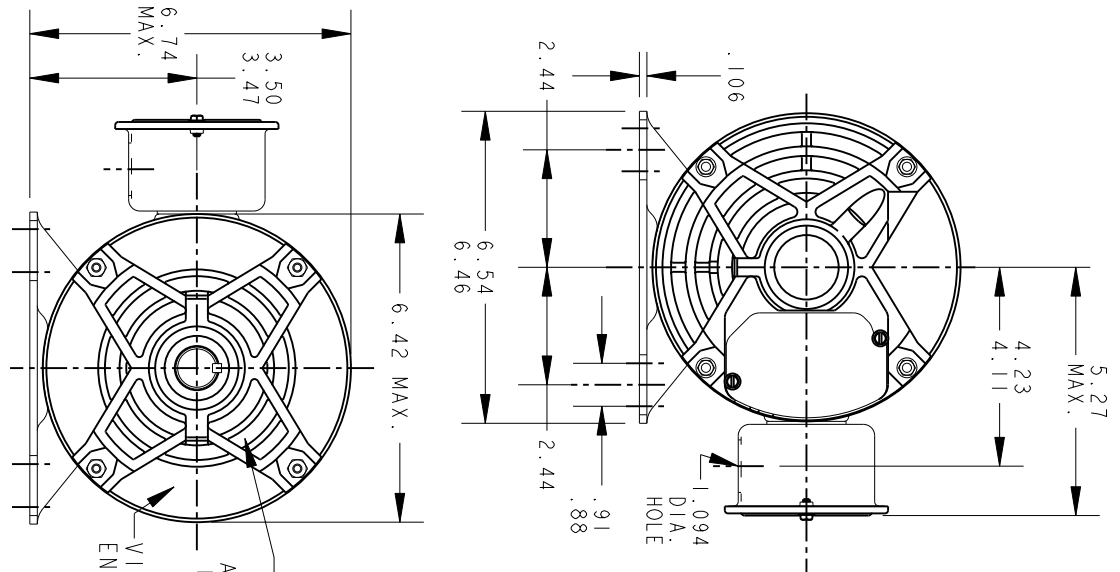
This is an uncontrolled document once printed or downloaded and is subject to change without notice. Date Created:03/11/2020



THIRD ANGLE PROJECTION

REVISIONS		DATE	APPROVED
REV. 1	DESCRIPTION ADDED PART #2.	05/06/94	M. D. PAPE
REV. 2	CHG TO RBC FORMAT PER ISO5-11777	03/08/06	SUDHA

* W IS A VARIABLE CLEARANCE DUE TO VARIATIONS IN PARTS AND ASSEMBLY



ALL DIMENSIONS ARE IN INCHES

2	K	49	143T	13.59	11.32	8.99
			145T			
1	K <td>49 <th>143T</th> <th>14.23</th> <th>11.96</th> <th>9.63</th> </td>	49 <th>143T</th> <th>14.23</th> <th>11.96</th> <th>9.63</th>	143T	14.23	11.96	9.63
			145T			
P	TYPE <td>GE <td>NEMA <td>"C"</td> <td>"L+M"</td> <td>MIN. SHELL</td> </td></td>	GE <td>NEMA <td>"C"</td> <td>"L+M"</td> <td>MIN. SHELL</td> </td>	NEMA <td>"C"</td> <td>"L+M"</td> <td>MIN. SHELL</td>	"C"	"L+M"	MIN. SHELL
		SIZE <td>FR. <td></td> <td></td> <td></td> </td>	FR. <td></td> <td></td> <td></td>			

REGAL-BELOIT CORPORATION

OUTLINE

GENERAL PURPOSE MOTOR DP - BALL BRG.

WELD BASE FMF: 40 FRAME REDESIGN (5K49UN8051)

SIGNATURES		DATE
MODEL	MA MARKS	02/01/94
DETAIL		
CHECKED		
ENGRG		
MFG		
QUALITY		
ISSUED	M.A.M.	02/01/94
SOLID MODEL: 52A107890		

SCALE: 0.250 REF. No.: .

SIZE: DRAWING A

52A107890

REV 2

SHEET 1 of 1

REVISIONS

REV.	DESCRIPTION	DATE	APPROVED
1	CHG TO RBC FORMAT PER IS05-1777	06/15/06	MADHU
2	RENAMED 113A930_FIG-3 TO 113A930FIG3 PER IS07-0972	05/08/07	MADHU

This document is the property of REGAL-BELOIT CORPORATION ("RBC") including its subsidiaries and divisions and contains proprietary information of RBC. This document is loaned on the express condition that neither the recipient nor any other person shall be permitted to check, copy, reproduce, disseminate, or otherwise use this information without the express written approval of RBC. This document shall be returned to RBC upon its request. This document may be subject to certain restrictions under U.S. export control laws and regulations.

THIRD ANGLE PROJECTION

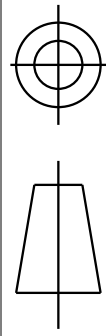
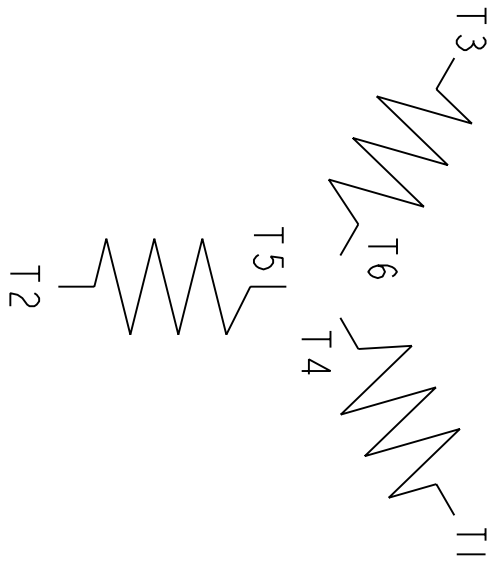


FIG. 3 3 PHASE



VOLTS	L1	L2	L3	TOGETHER
1Δ	LOW	1-6	2-4	3-5
1Y	HIGH	1	2	3
				4-5-6

BRAKE MOTORS : CONNECT BRAKE LEADS B1 & B2 TO MOTOR LEADS T1 & T4.

FOR ADDITIONAL INFO REFER TO:	SIGNATURES	DATE
APPLIED PRACTICES	MODEL M.D.PAPE	02/25/03
DIMENSIONS ARE IN INCHES	DETAIL	
TOLERANCE ON:	CHECKED	
1 PL DECIMALS ± 0.1	ENGRG	
2 PL DECIMALS ± 0.02	MFG	
3 PL DECIMALS ± 0.005	QUALITY	
ANGLES ± 1.0	ISSUED	M.D.PAPE 02/25/03
FINISH		
MATERIAL	SOLID MODEL: 113A930F163	



REGAL-BELOIT CORPORATION

CONNECTION DIAGRAM

TITLE	SIZE DRAWING	SCALE: 1.000	REF. No:	SHEET 1 of 1
	A			
				REV 2
113A930FIG3				